

Industrial Grade Durable Cash Drawer

The new PCD series cash drawers are durable, cost-effective currency storage devices of cash registers and POS system. The Industrial Steel construction is sturdy and can support the under-counter mounting for limited counter-space applications.

The adjustable coin/bill compartments and slip slots for checks or large bills allow more flexible applications.

With RS-232 or RJ-11 printer interfaces enables PCD series to be reliable for everyday heavy duty tasks. And the 3-position key lock is provided for maximum cash security.



PCD-428



PCD-358



PCD-438

Feature

Industrial Steel Housing

Tray Adjustment

Position Key Lock

Color Variation

RJ-11/RJ-12 RS-232* USB*

Micro Switch



Adjustable Compartments (bill trays and coin slots)



Flip-Top Open & Lockable Lid (PCD-438)

- Industrial Grade Steel Structure
- Adjustable Compartments (4, 5, 6 bill trays selectable, 8 coin slots)
- Multiple Colors available (Beige / Black/ Customized)
- 3-position Key lock ensure maximum security
- Multiple Interface Operation: RS-232 /RJ-11/RJ-12 6-pin printer / USB (optional*)
- Slip-slot for checks and large bills storage
- Micro Switch (optional) and Lockable Lids

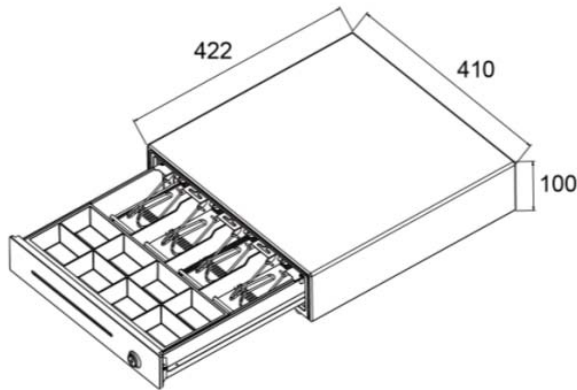
* Please refer to the local representative for further information

Industrial Grade Durable Cash Drawer

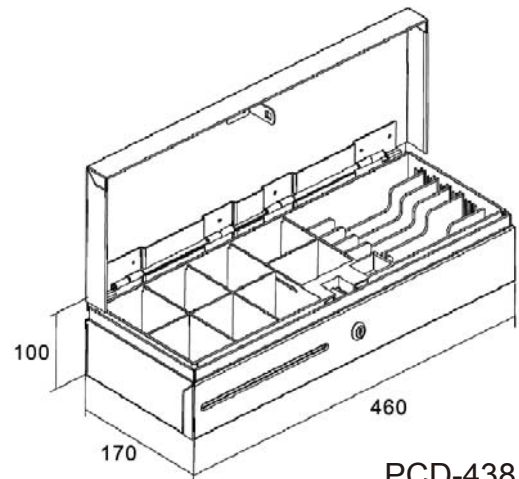
Specification

Model No.	PCD-428	PCD-358	PCD-438
Dimension (W x D x H: mm)	410 x 422 x 100	350 x 405 x 90	460 x 170 x 100
Gross Weight	8.3 Kg	5.6 Kg	5.5 Kg
Net Weight	7.2 Kg	4.6 Kg	5 Kg
Tray	4 or 5 Bill, 8 Coin	4 Bill, 8 Coin	6 Bill, 8 Coin
Slip Slot	1	1	1
Position Key Lock	3	3	1
Color	Beige, Black or Customized		Beige, Black or Customized
Material	Body: Steel, Tray: ABS		Body: Steel, Tray: ABS
Micro Switch	Optional		Open by driver signal to the solenoid (option)
Interface	RJ-11, RJ-12 or RS-232 (optional), USB (optional)		RJ-11, RJ-12 or RS-232 (optional), USB (optional)

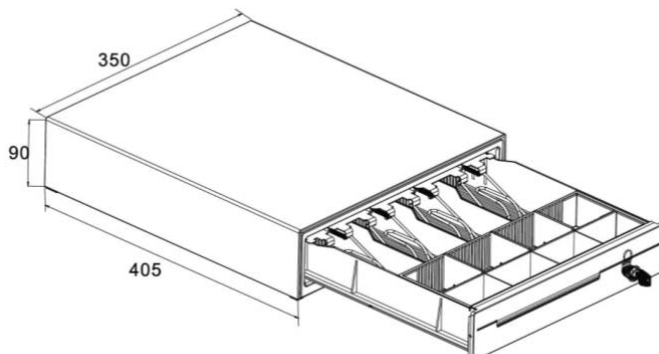
Dimension



PCD-428



PCD-438



PCD-358

ISO-9002 Certified

